

Customer Part:

Description

- Industry standard SMD package with 5.5mm lead spacing
Suitable for real time clock applications
Plastic encapsulated
- Model 85SMX
- Model Issue number 9

Frequency Parameters

- Frequency 32.7680kHz
- Frequency Tolerance $\pm 20.00\text{ppm}$
- Overtone Order Fundamental
- Ageing $\pm 5\text{ppm max per year @ } 25^\circ\text{C}$

Electrical Parameters

- Load Capacitance (CL) 6.00pF
- Shunt Capacitance (C0) 1pF typ
- Drive Level 1.0 $\mu\text{W max}$
- ESR 50.00k Ω max

Environmental Parameters

- Storage Temperature Range: -55 to 125°C
- Drop: 75cm drop (3 times) onto hard wooden board
- Vibration: 1.5mm amplitude, 10Hz-60Hz, 2-3mins in 3 mutually perpendicular planes, duration 2hrs each plane

Manufacturing Details

- Not suitable for use with ultrasonic cleaning techniques
- RoHS Terminations Matte Sn
- RoHS Reflow Temp $260^\circ\text{C } 10\text{s max}$

Compliance

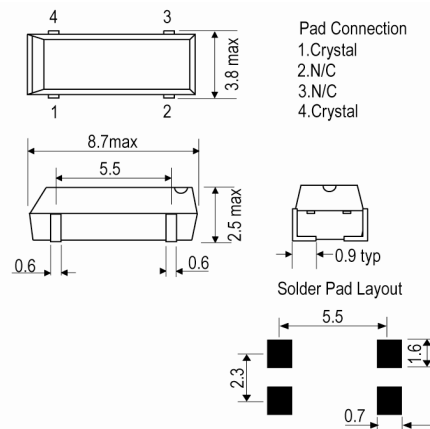
- RoHS Status (2015/863/EU) Compliant
- REACH Status Compliant
- MSL Rating (JDEC-STD-033): Not Applicable

Packaging Details

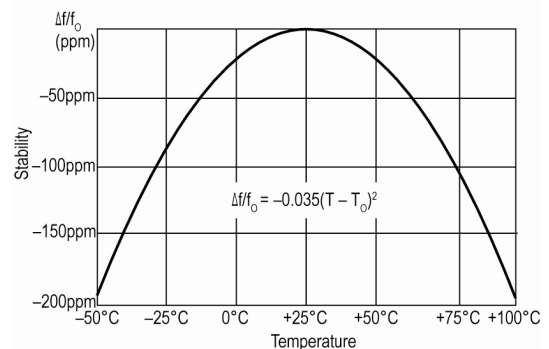
- Pack Style: Reel Tape & reel in accordance with EIA-481-D
Pack Size: 3,000
- *Alternative packing option available*



Outline (mm)



Typical Frequency Stability Characteristics



Sales Office Contact Details:

UK: +44 (0)1460 270200
Germany: 0800 1808 443

France: 0800 901 383
USA: +1.760.318.2824

Email: info@iqdfrequencyproducts.com
Web: www.iqdfrequencyproducts.com

Mouser Electronics

Authorized Distributor

Click to View Pricing, Inventory, Delivery & Lifecycle Information:

[IQD Frequency Products:](#)

[LFXTAL016178Reel](#)